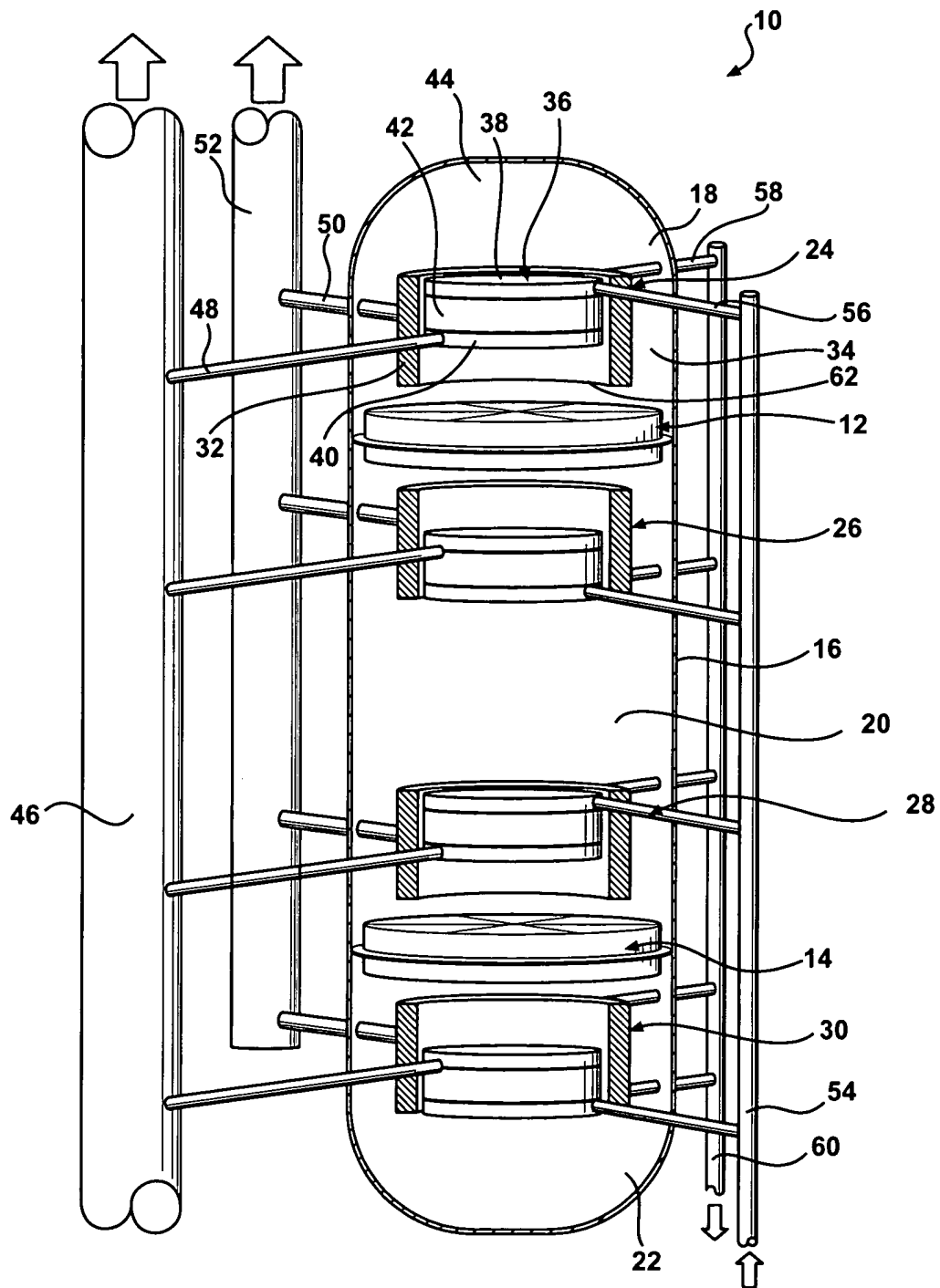


FIG - 1



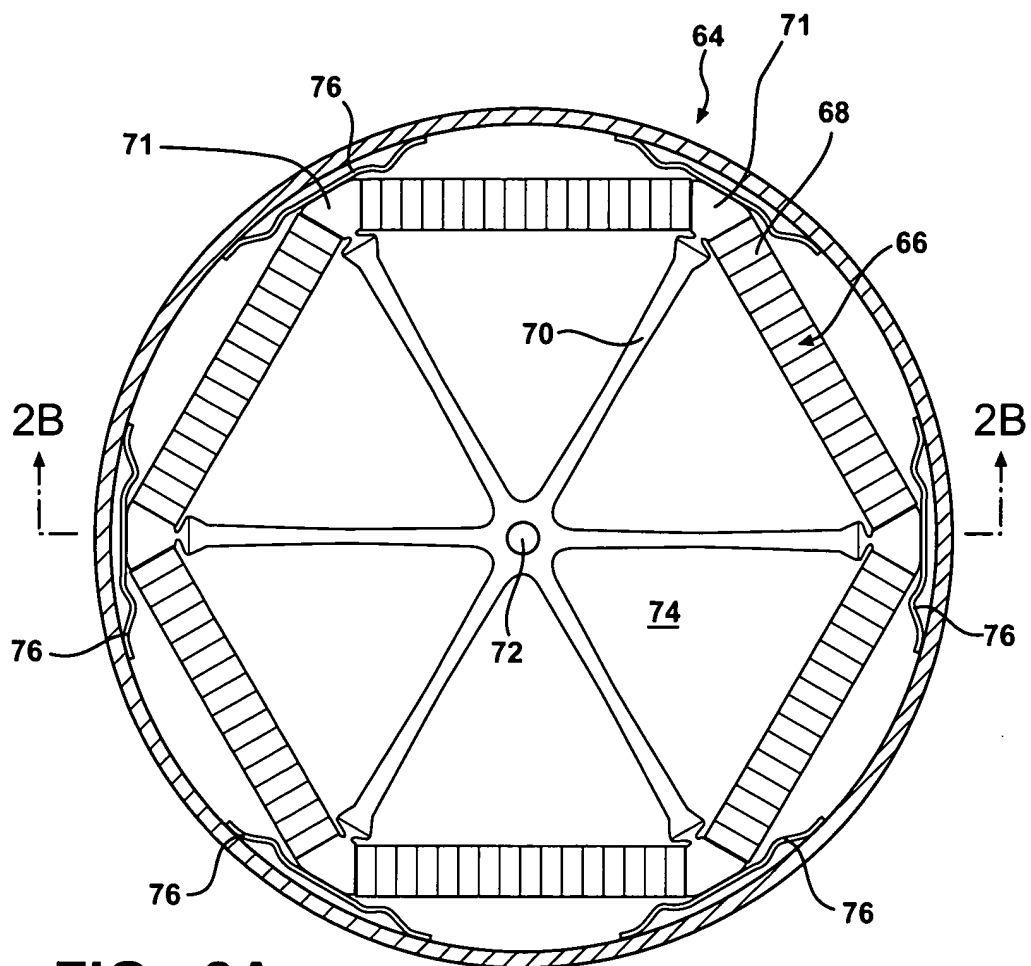


FIG - 2A

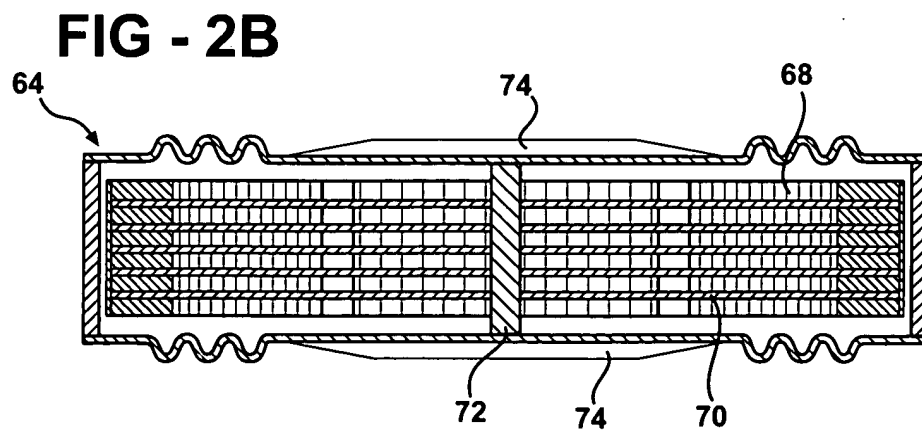
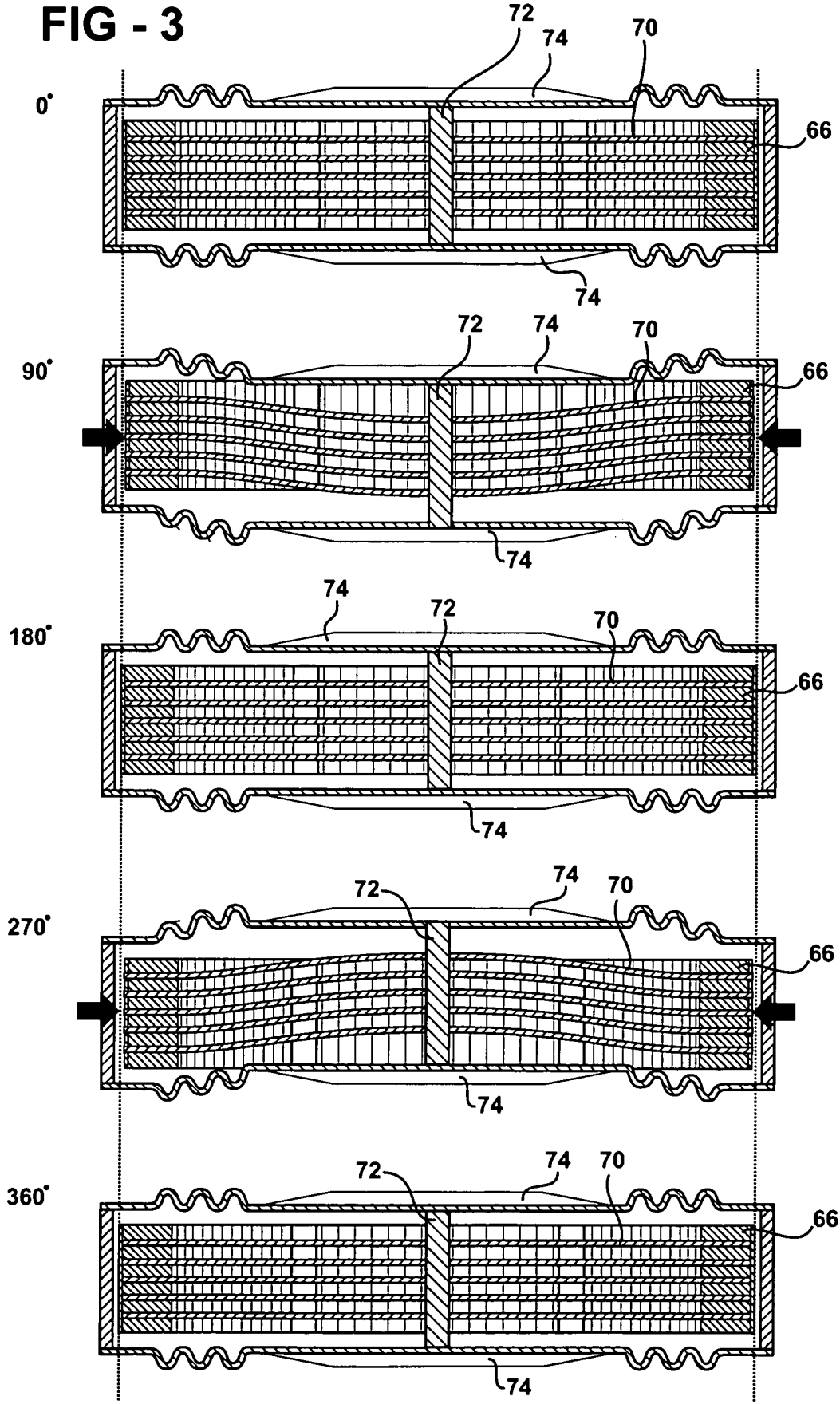


FIG - 2B

FIG - 3



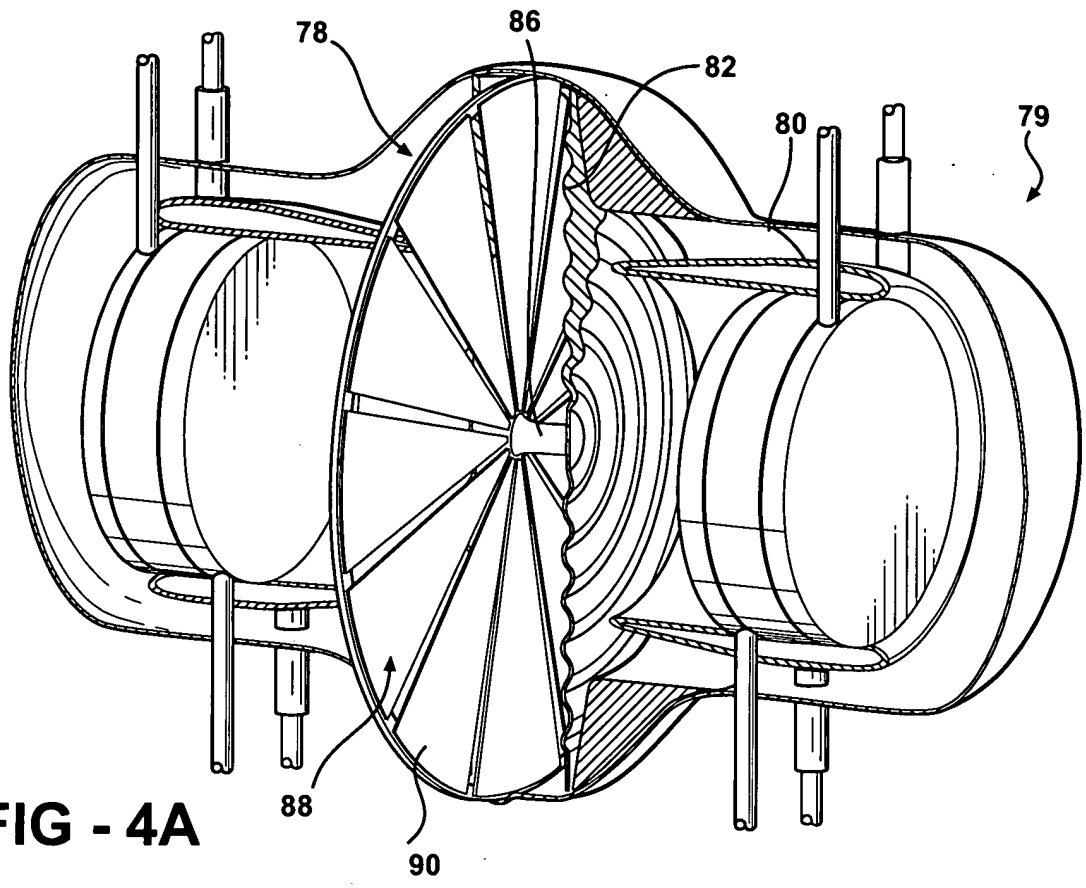


FIG - 4A

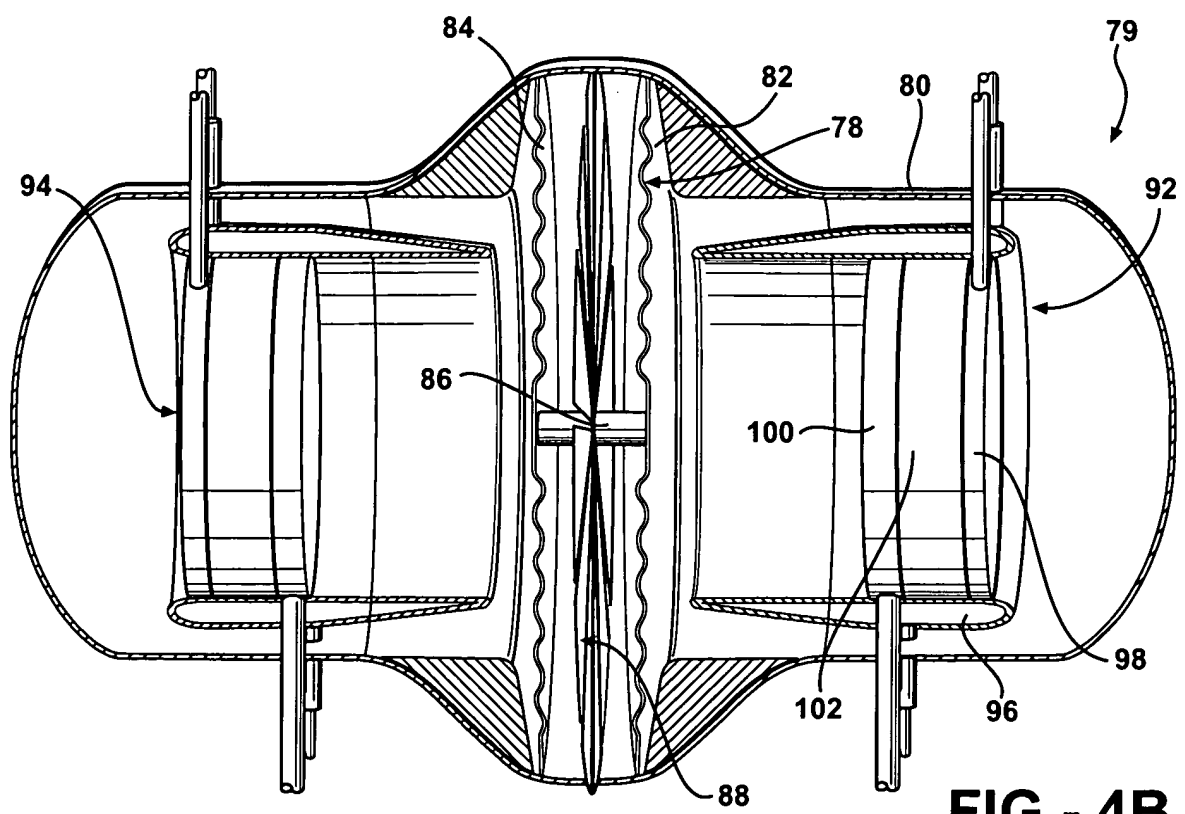


FIG - 4B

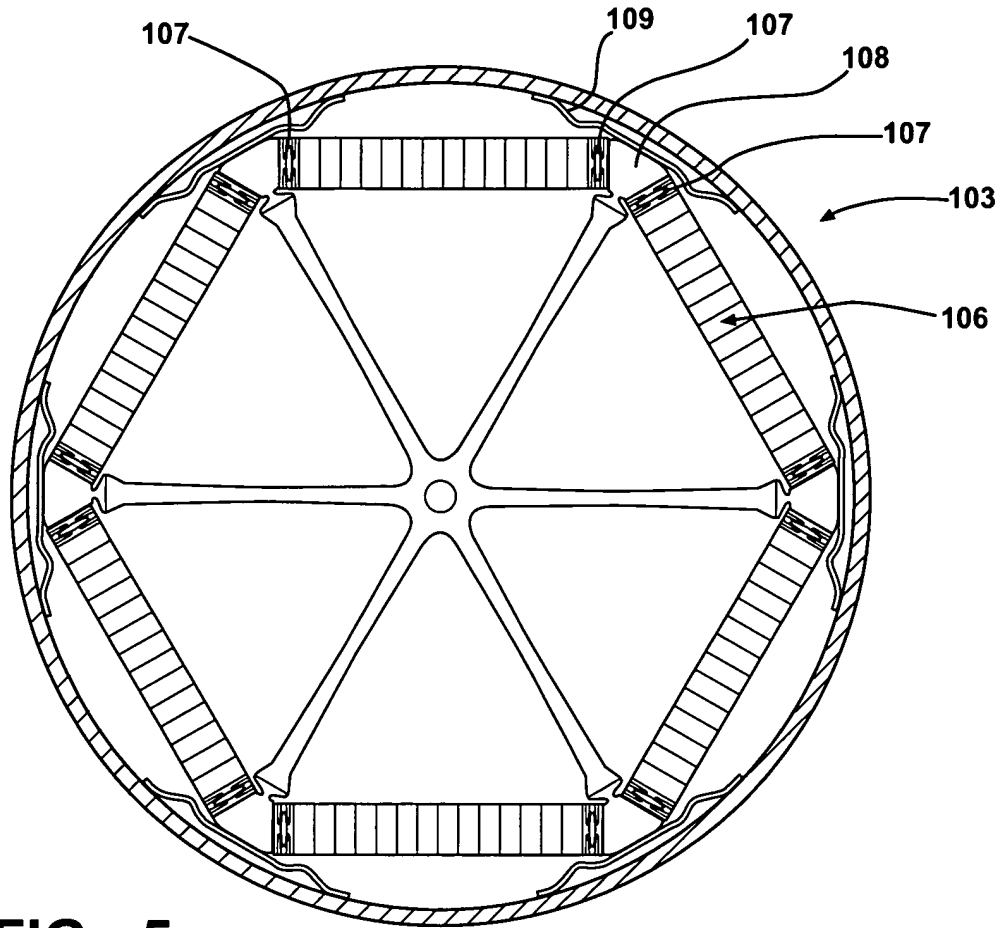


FIG - 5

FIG - 6A

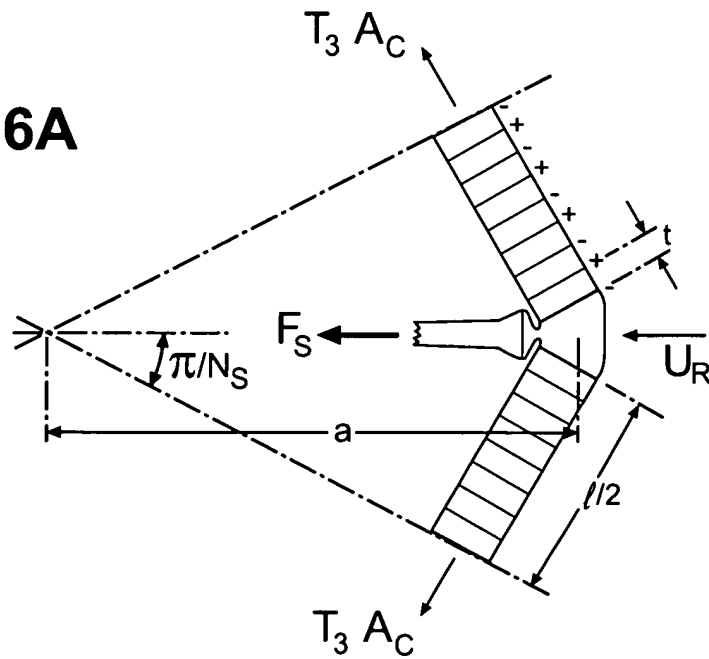


FIG - 6B

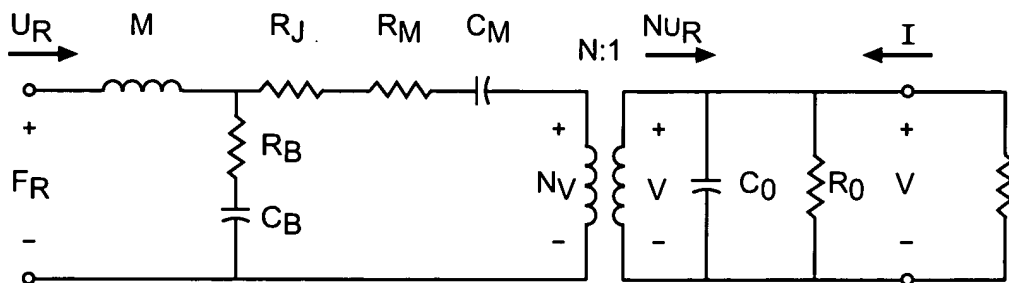
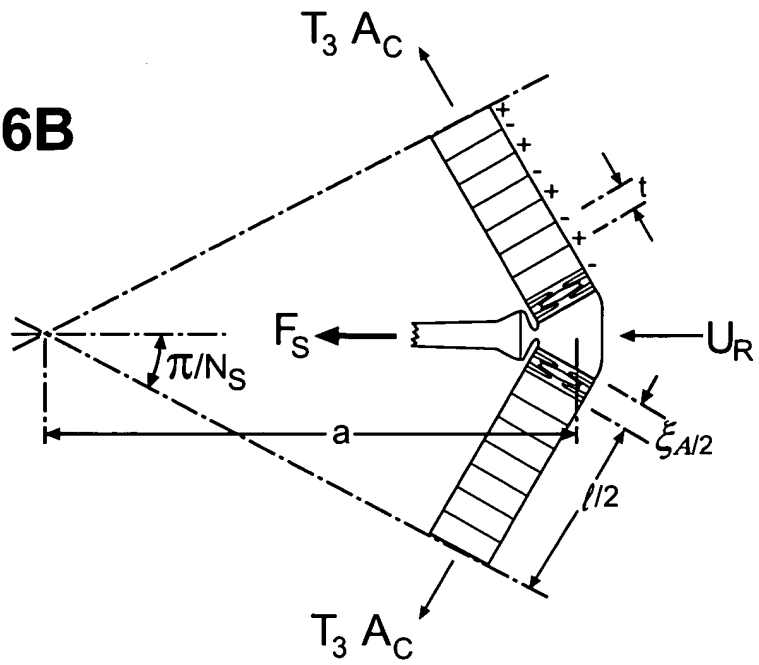


FIG - 7A

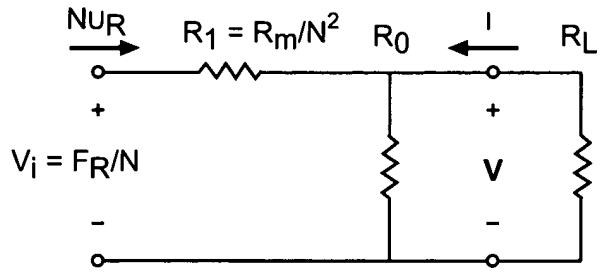


FIG - 7B

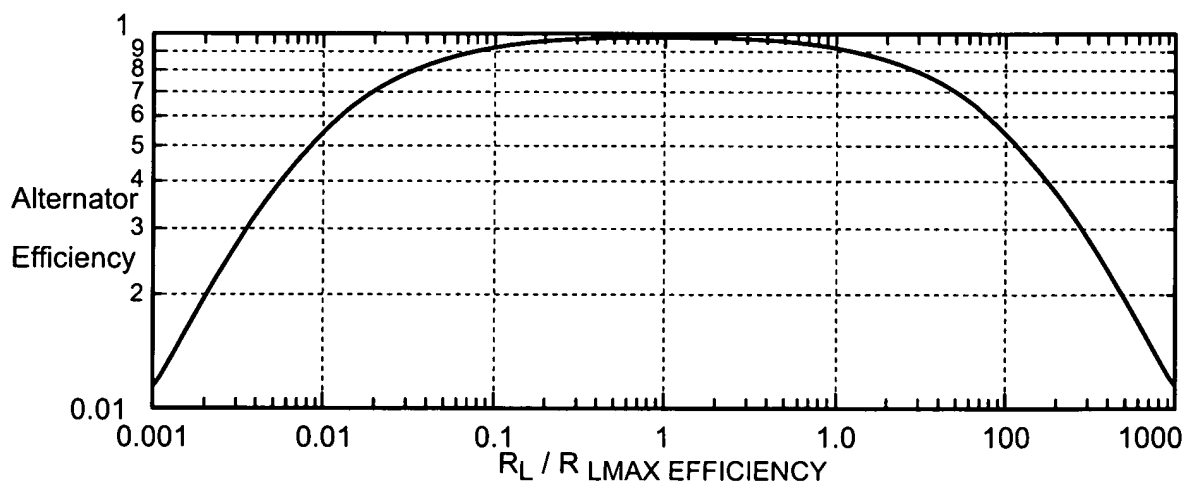


FIG - 8

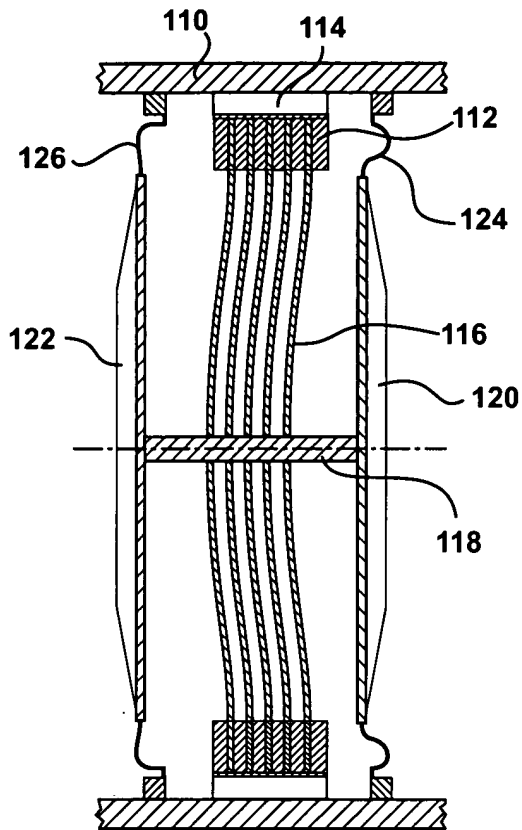


FIG - 9

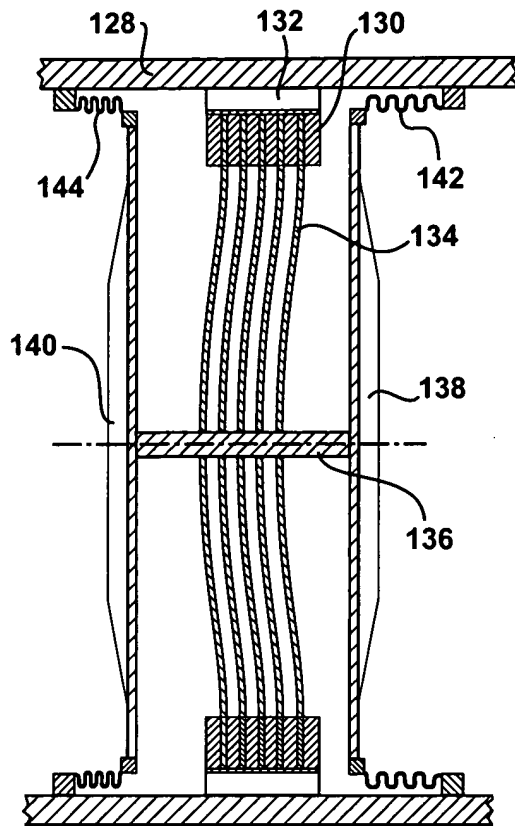


FIG - 10

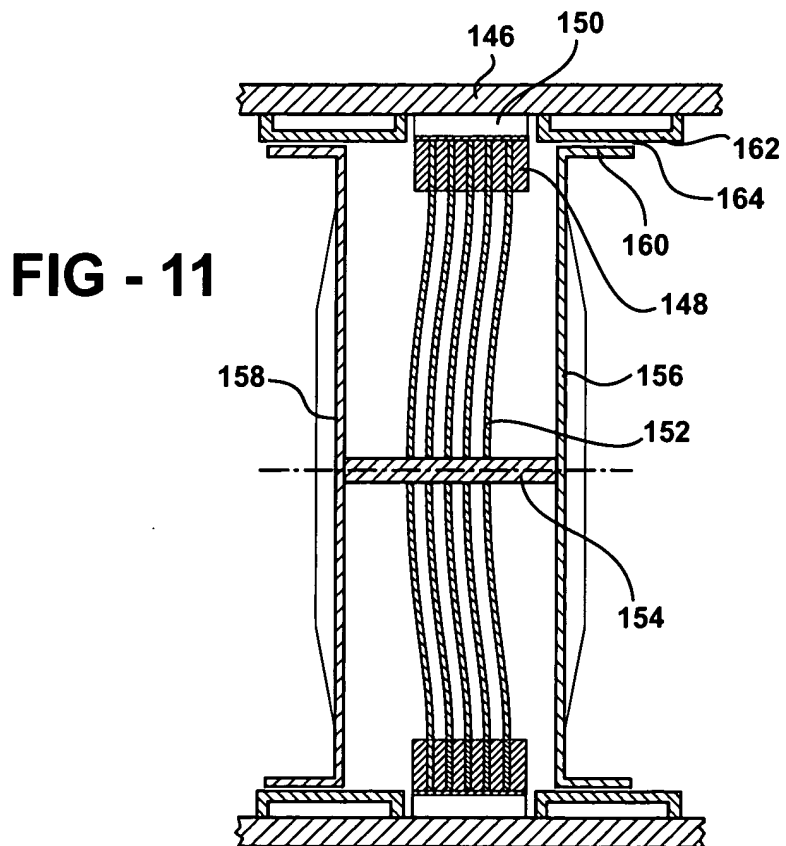
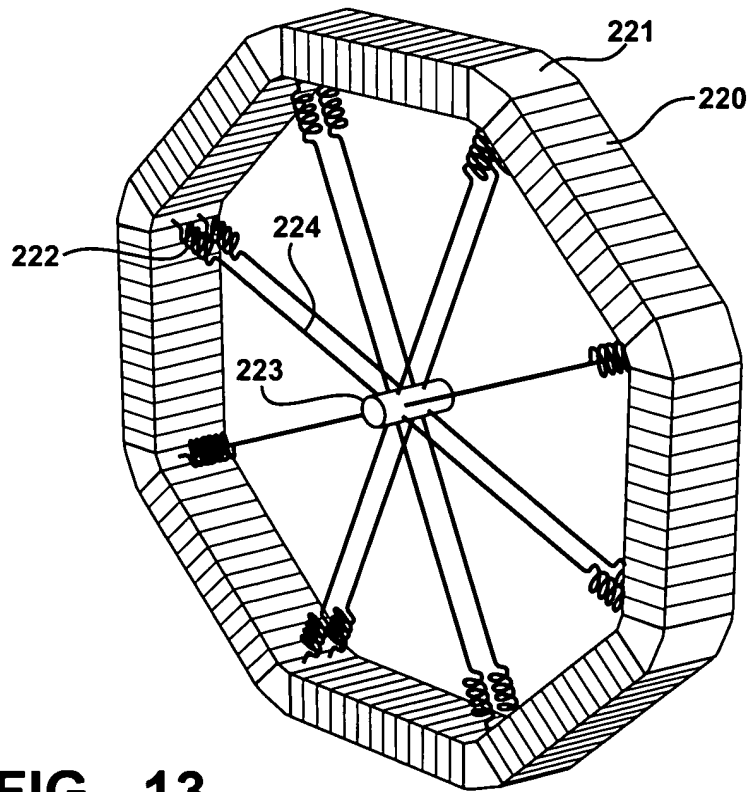
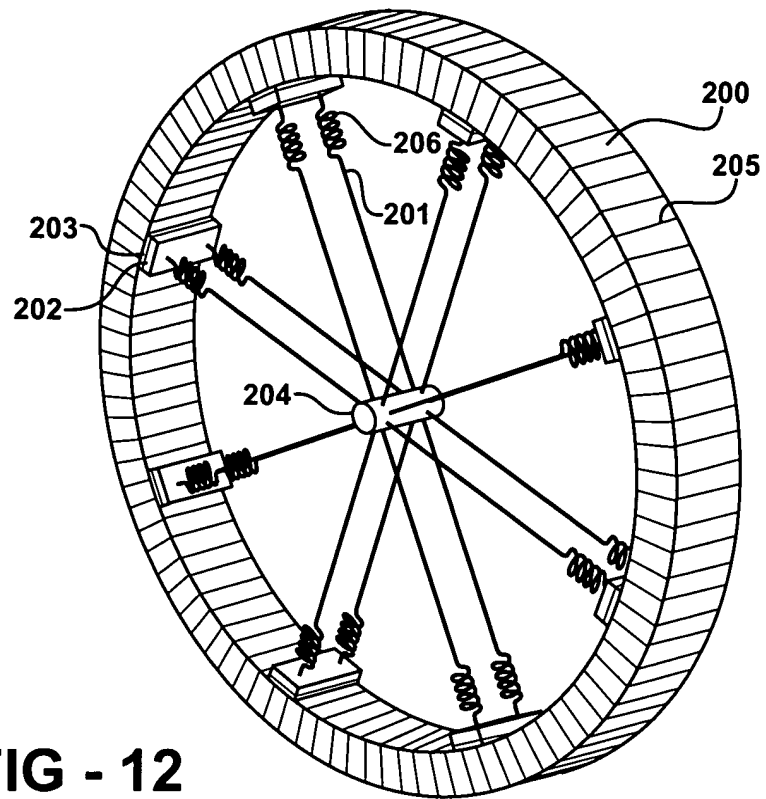


FIG - 11



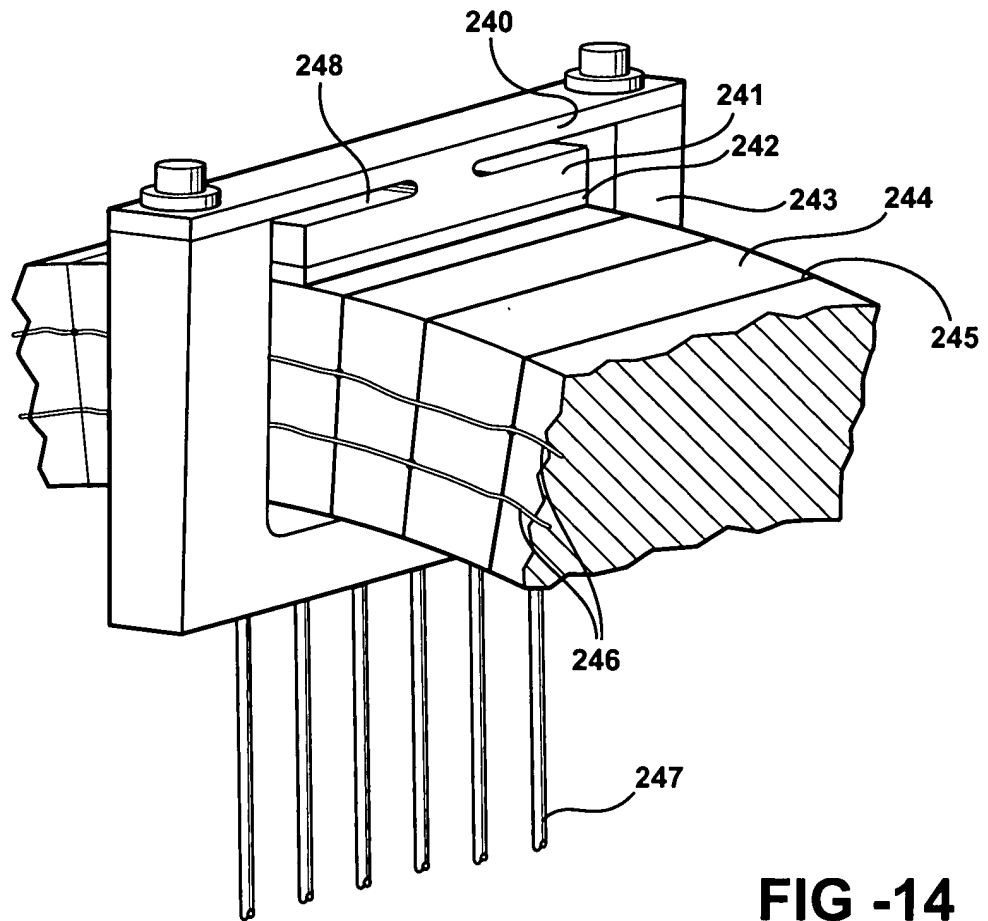


FIG -14

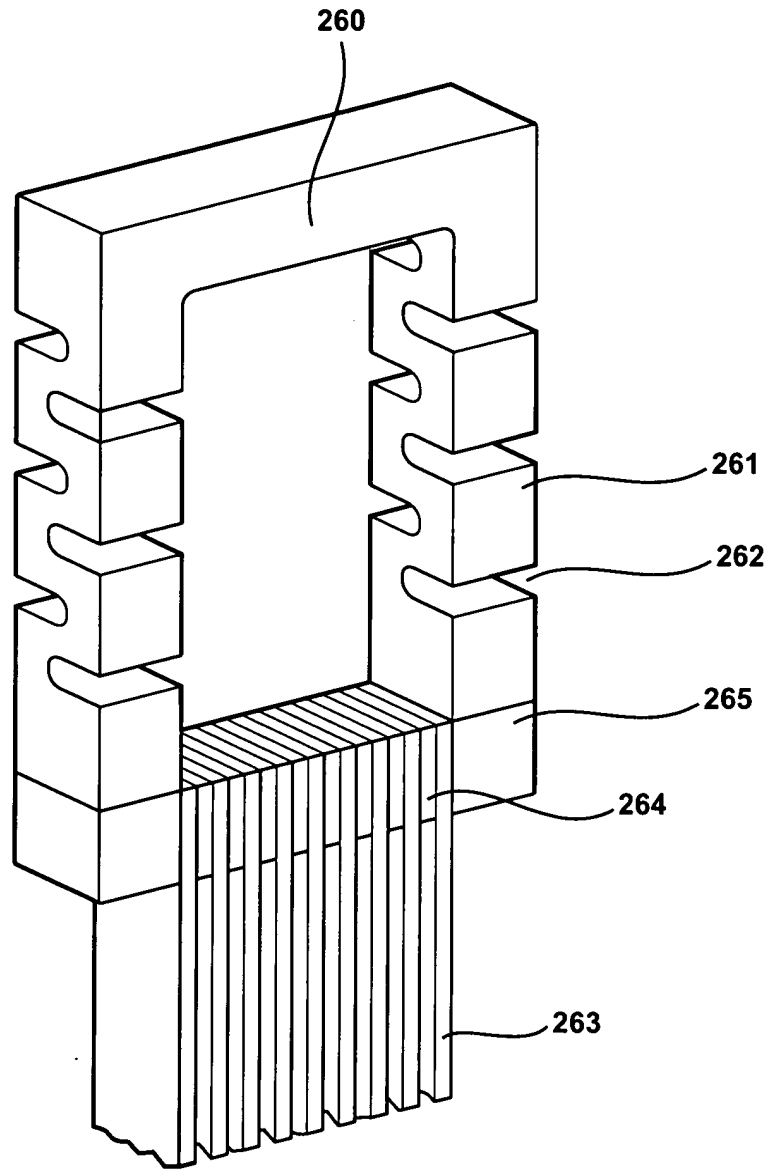


FIG - 15

FIG - 16

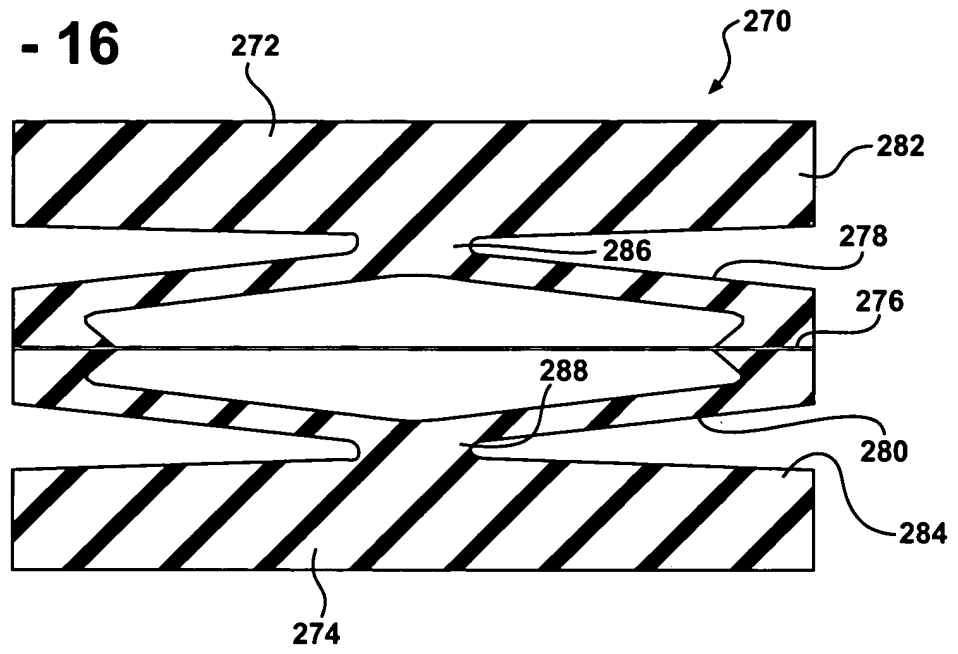


FIG - 17

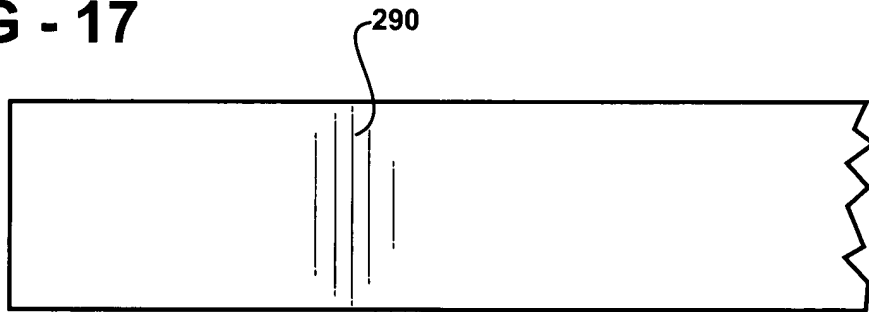


FIG - 18

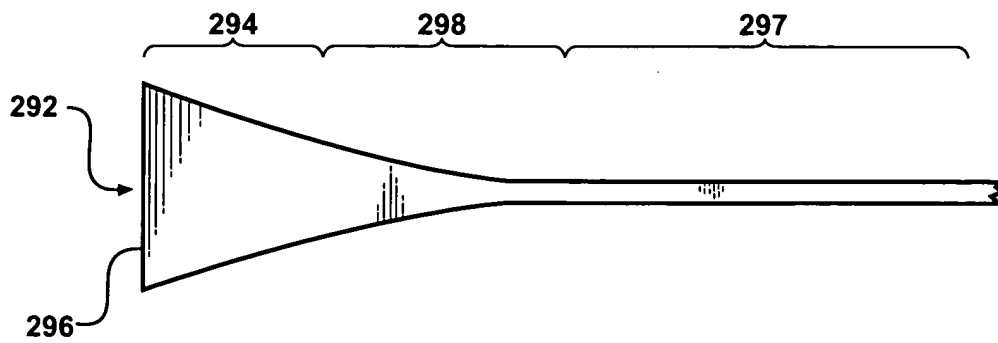
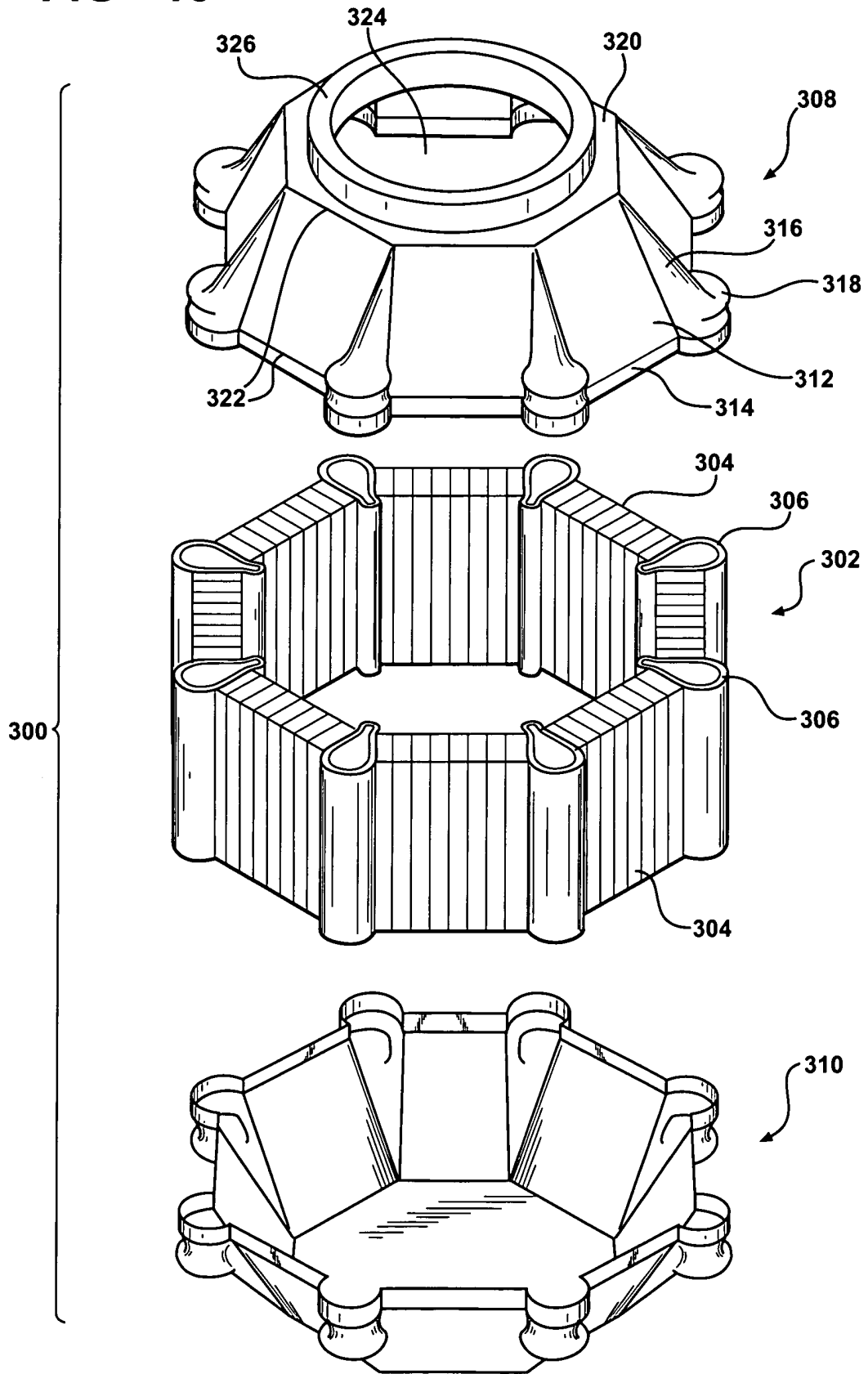


FIG - 19



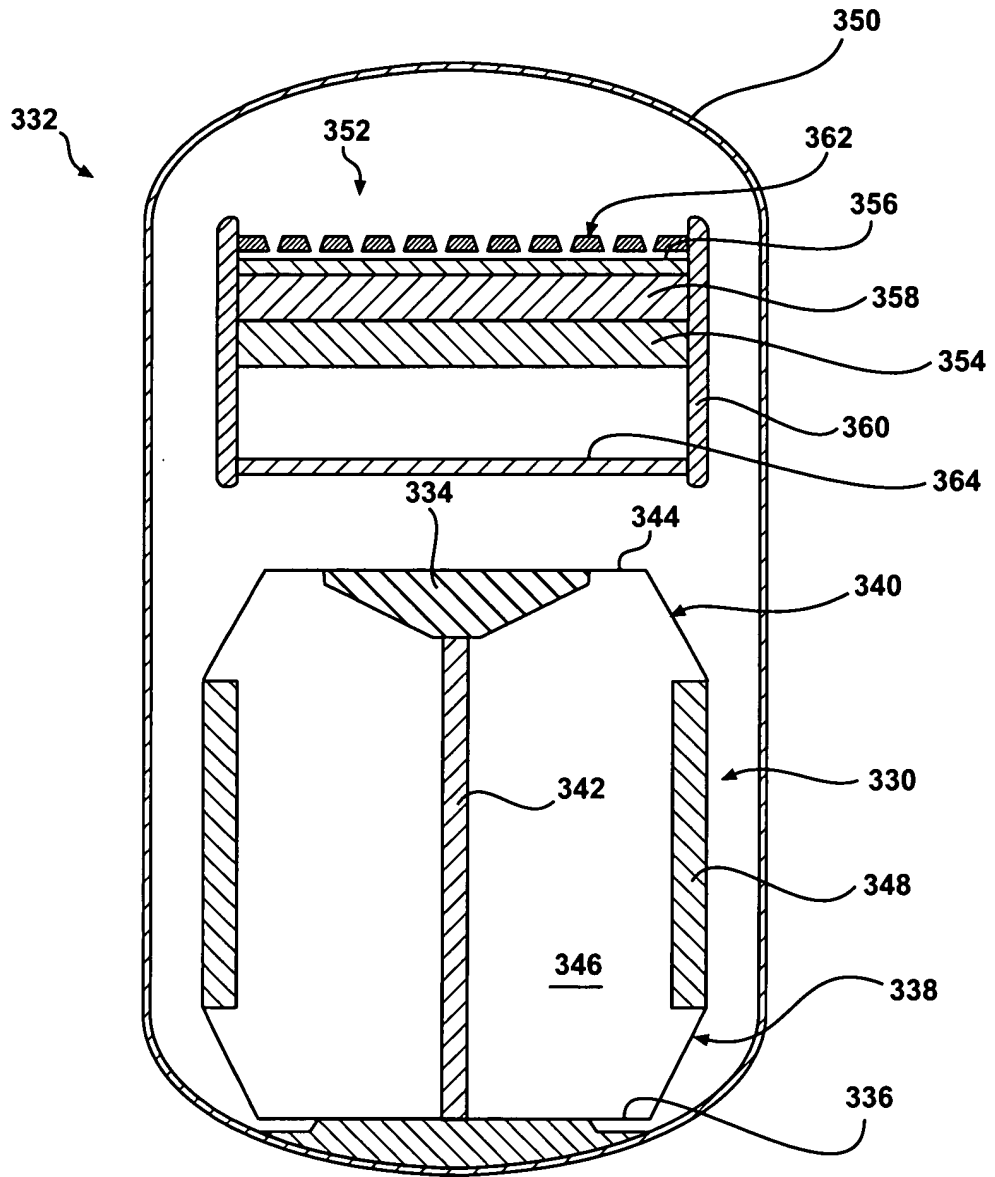


FIG - 20

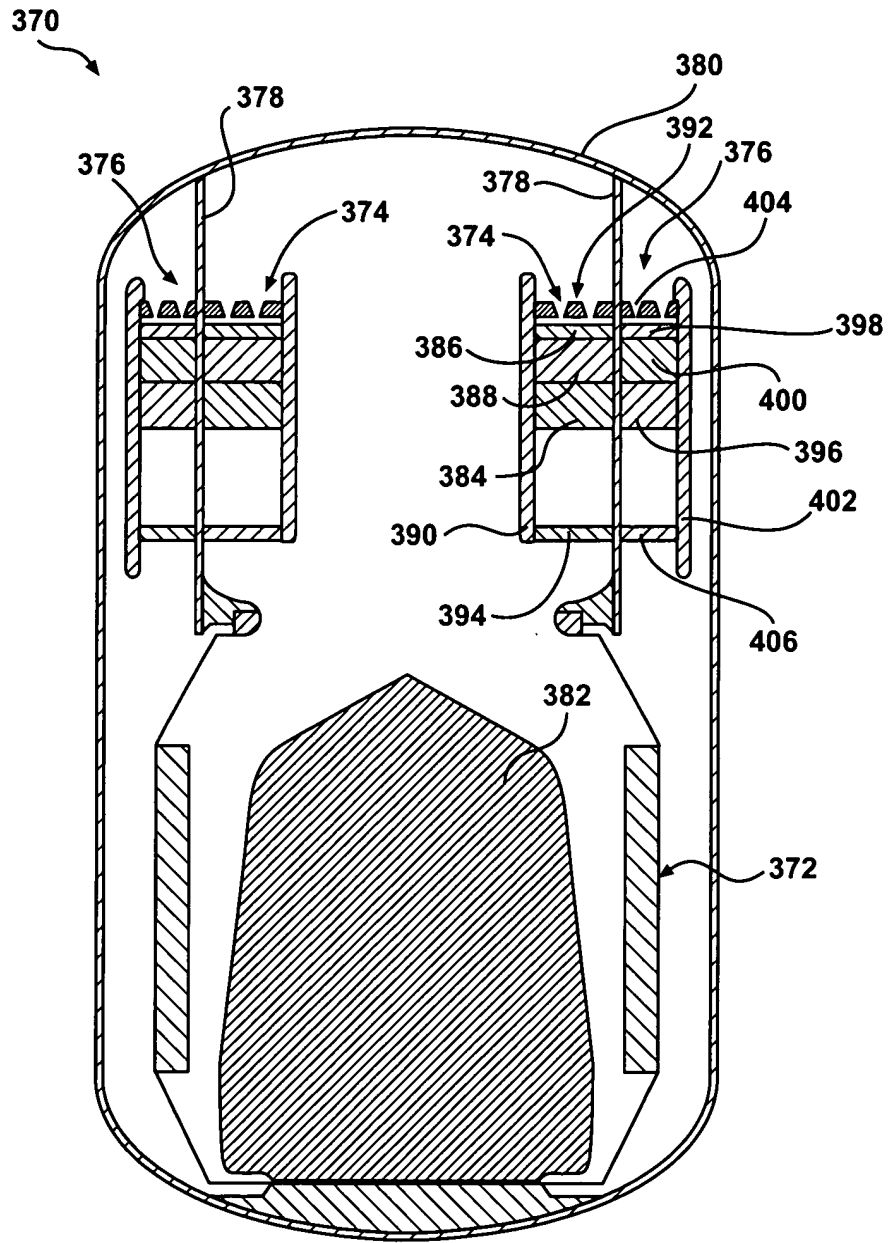


FIG - 21

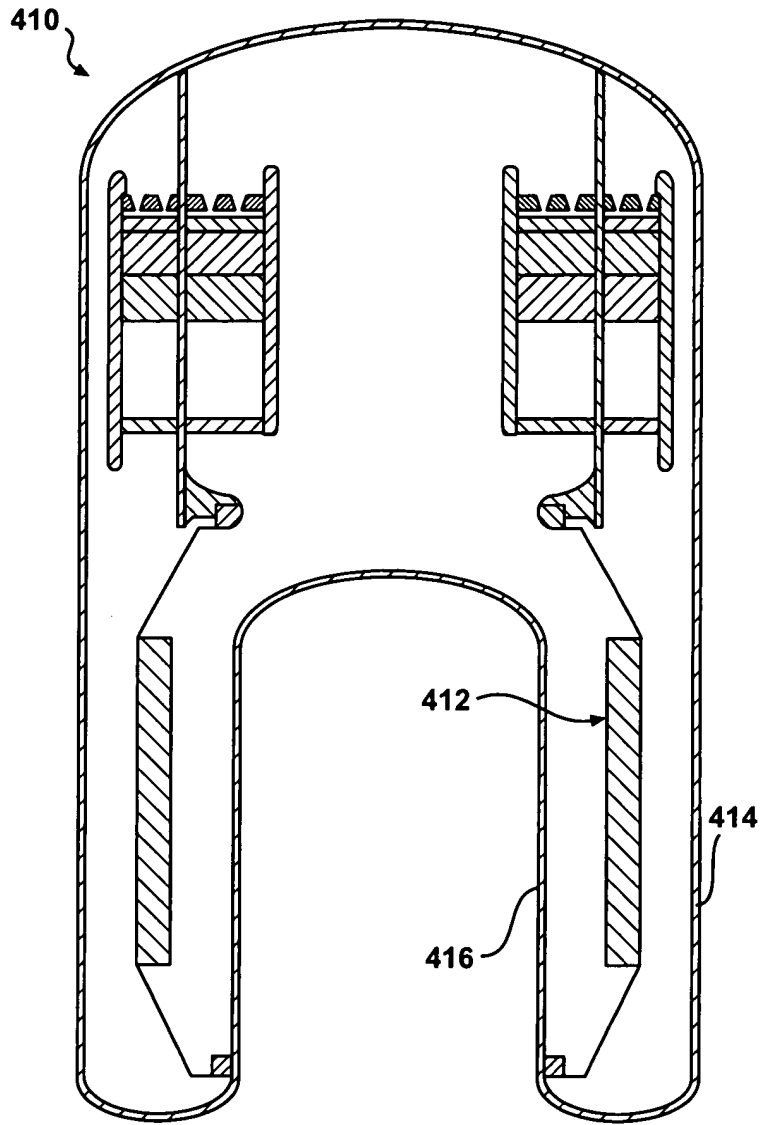


FIG - 22

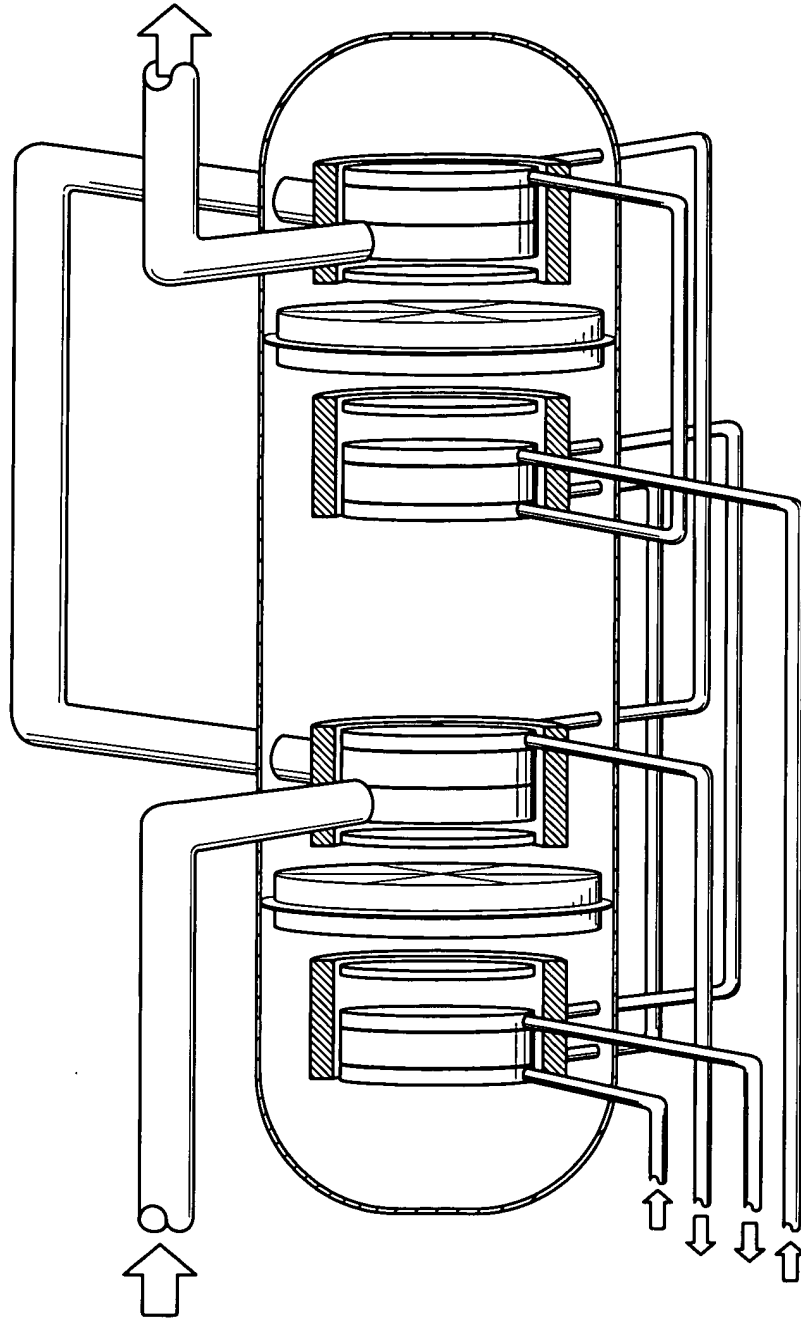


FIG - 23